

**LY**

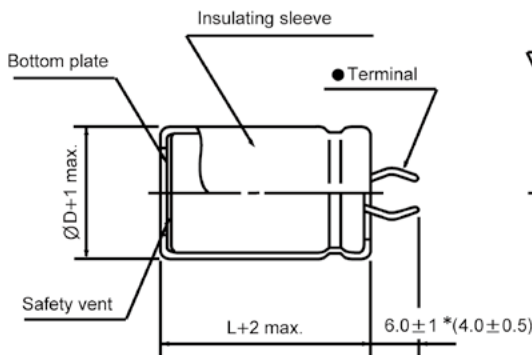
**Snap-in Terminal Type, Long life Series**

- Load life of 10000 hours at 105°C
- Voltage range of 400 ~ 500V
- Suited for use in industrial power supplies where high reliability
- Complied to the RoHS directive

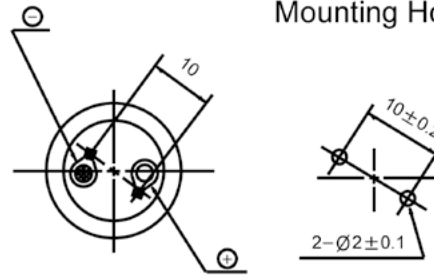
Items	Performance characteristics			
Operating temperature range	-25 ~ +105°C			
Leakage current max.	$I=3\sqrt{CV}(\mu A)$ (after 5 minutes)			
Capacitance tolerance	±20% at 120Hz, 20°C			
Dissipation factor max. (at 120Hz, 20°C )	WV	400	450	500
	Tanδ	0.15	0.20	0.20
Load life (after application of the rated voltage for 10000 hours at 105°C )	Leakage current	Less than specified value		
	Capacitance change	Within ±30% of initial value		
	Tanδ	Less than 300% of specified value		
Shelf life (at 105°C )	After 1000 hours no load test, leakage current, capacitance and tanδ are same as load life value.			

● DRAWING

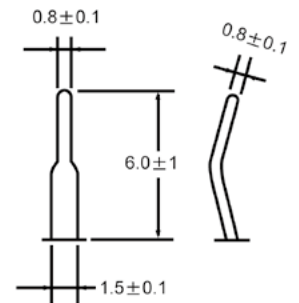
∅D ≤ 40



PC Board Mounting Holes

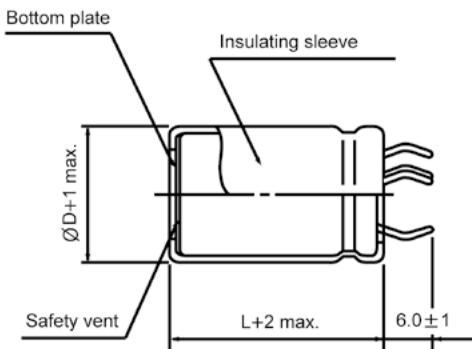


Terminal

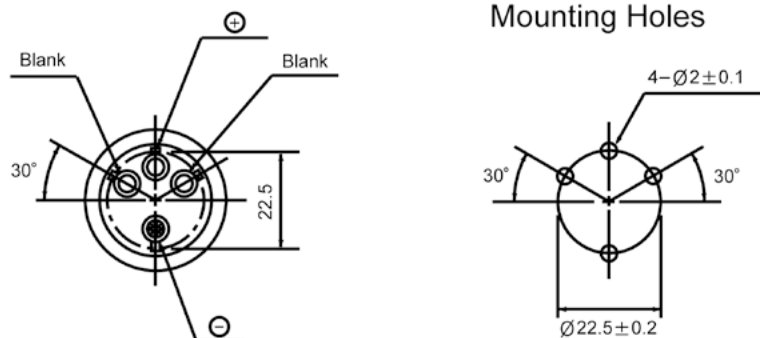


\* Shorter terminal(4.0±0.5) is also available upon request.  
Terminal length of height 20mm products is applied shorter terminal to standard terminal type.

∅D=35, 40



PC Board Mounting Holes



● FREQUENCY COEFFICIENT OF PERMISSIBLE RIPPLE CURRENT

WV \ Frequency	50Hz	120Hz	300Hz	1kHz	10kHz≤
400 ~ 500	0.85	1.00	1.15	1.20	1.40

**LY Series**

● DIMENSIONS & MAXIMUM PERMISSIBLE RIPPLE CURRENT

$\mu\text{F}$ \diagdown WV	400		450		500	
47			22×20	0.38		
56	22×20	0.39	22×20 25×20	0.45 0.43		
68	22×25 25×20	0.46 0.48	22×25 25×25	0.52 0.51	22×35 25×30	0.41 0.39
82	22×30 25×25	0.54 0.53	22×30 25×30 30×20	0.60 0.59 0.57	22×40 25×35	0.47 0.46
100	22×30 25×25	0.60 0.62	22×30 25×30 30×25	0.69 0.69 0.67	22×40 25×40 30×30	0.55 0.52 0.56
120	22×35 25×30 30×25	0.69 0.72 0.69	25×35 30×30	0.79 0.74	22×45 25×45 30×35	0.61 0.59 0.62
150	22×40 25×30 30×25	0.84 0.84 0.82	25×40 30×35 35×25	0.92 0.91 0.89	30×40 35×30	0.65 0.66
180	25×35 30×30 35×25	0.97 0.95 0.92	30×35 35×30	1.04 1.03	30×45 35×35	0.72 0.73
220	25×40 30×35 35×25	1.11 1.11 1.08	30×40 35×35	1.20 1.19	35×40	0.84
270	30×40 35×30	1.28 1.26	35×40	1.37	35×50	0.92
330	30×45 35×35	1.47 1.46	35×45	1.58		
390	35×40	1.65				
470	35×45	1.88				

↑ Ripple current (A rms) at 105°C , 120Hz  
 ↑ Case size  $\Phi\text{D}\times\text{L}$  (mm)