

LM Miniaturized Series

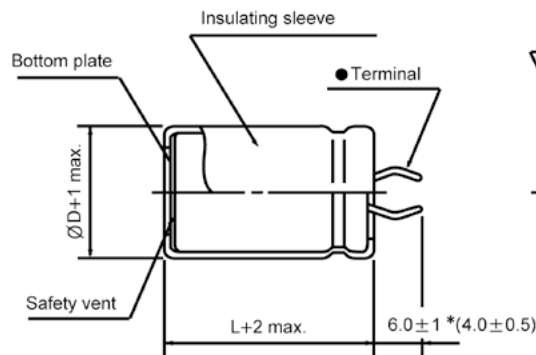
- Load life of 3000 hours at 105°C
- Complied to the RoHS directive

Items	Performance characteristics										
Operating temperature range	-40 ~ +105°C (6.3V~250V); -25 ~ +105°C (350V~500V)										
Leakage current max.	$I=3\sqrt{CV}$ (μA) (after 5 minutes)										
Capacitance tolerance	±20% at 120Hz, 20°C										
Dissipation factor max. (at 120Hz, 20°C)	WV	6.3	10	16	25	35	50	63	80,100	160~400	450~500
	Tanδ	0.60	0.55	0.50	0.40	0.35	0.30	0.25	0.20	0.15	0.20
Load life (after application of the rated voltage for 3000 hours at 105°C)	Leakage current						Less than specified value				
	Capacitance change						Within ±20% of initial value				
	Tanδ						Less than 200% of specified value				
Shelf life (at 105°C)	After 1000 hours no load test, leakage current, capacitance and tanδ are same as load life value.										

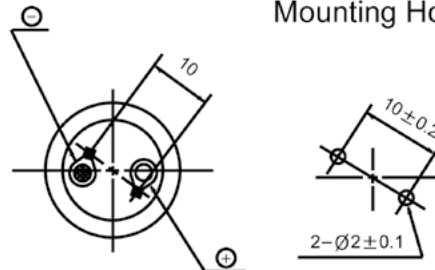
● DRAWING

Unit : mm

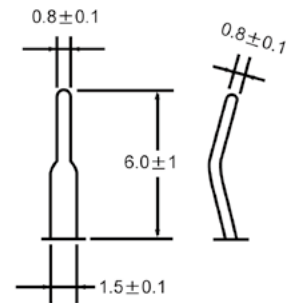
∅D ≤ 40



PC Board Mounting Holes

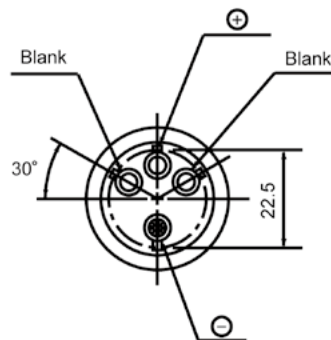
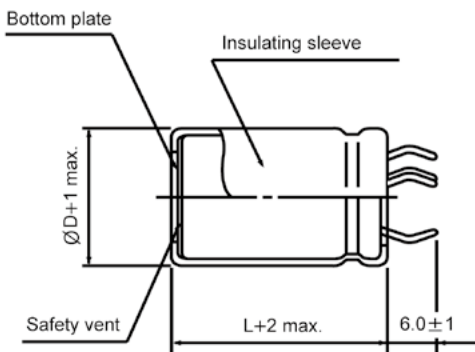


Terminal

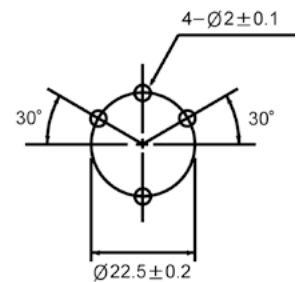


* Shorter terminal(4.0±0.5) is also available upon request.
Terminal length of height 20mm products is applied shorter terminal to standard terminal type.

∅D = 35, 40



PC Board Mounting Holes



● FREQUENCY COEFFICIENT OF PERMISSIBLE RIPPLE CURRENT

WV \ Frequency	50Hz	120Hz	300Hz	1kHz	10kHz ≤
~ 100	0.85	1.00	1.06	1.15	1.20
160 ~ 250	0.85	1.00	1.20	1.25	1.45
350 ~	0.85	1.00	1.15	1.20	1.40

LM Series

● DIMENSIONS & MAXIMUM PERMISSIBLE RIPPLE CURRENT

WV μF	6.3		10		16		25		35		50	
	2700											22×30
3300									22×25	1.62	22×35	2.20
3900									22×30	1.88	22×40 25×35 30×25	2.52 2.62 2.54
4700							22×25	1.73	22×35 25×25	2.14 2.09	22×45 25×40 30×30	2.81 2.93 2.87
5600							22×30	1.98	22×35 25×30 30×25	2.29 2.37 2.43	22×50 25×40 30×35	3.11 3.11 3.21
6800							22×30	2.14	22×40 25×35 30×30	2.61 2.71 2.79	25×50 30×40 35×30	3.64 3.61 3.53
8200					22×25	2.14	22×35 25×30	2.42 2.50	22×50 25×40 30×30	3.02 3.02 2.95	30×45 35×35	3.94 3.87
10000			22×25	2.17	22×30 25×25	2.48 2.56	22×40 25×35	2.77 2.88	25×45 30×35	3.43 3.38	30×50 35×40	4.42 4.37
12000	22×25	2.19	22×30	2.48	22×35 25×30 30×25	2.80 2.90 2.97	22×45 25×40 30×30	3.09 3.22 3.15	25×50 30×40 35×30	3.78 3.75 3.67	35×45	4.78
15000	22×30	2.53	22×35 25×25	2.83 2.75	22×40 25×35 30×30	3.17 3.29 3.38	25×45 30×35 35×30	3.62 3.57 3.65	30×45 35×35	4.19 4.12	35×50 40×40	5.24 5.13
18000	22×35 25×25	2.85 2.77	22×35 25×30	3.00 3.11	22×45 25×40 30×30	3.50 3.65 3.57	25×50 30×40 35×35	3.98 3.95 4.06	35×40	4.52	40×50	5.76
22000	22×35 25×30	3.04 3.15	22×40 25×35 30×25	3.35 3.48 3.38	25×45 30×35	4.03 3.98	30×45 35×35	4.36 4.28	35×45 40×40	4.95 5.04	40×50	5.98
27000	22×40 25×35 30×25	3.40 3.53 3.42	22×50 25×40 30×30	3.88 3.87 3.79	25×50 30×40 35×30	4.42 4.39 4.29	35×45 40×40	4.92 5.01	40×50	5.92	40×60	6.61
33000	22×50 25×40 30×30	3.92 3.91 3.83	25×45 30×35	4.26 4.20	30×45 35×35	4.79 4.71	↑ ↓ Ripple current (A rms) at 105°C , 120Hz Case size ΦD×L (mm)					
39000	25×45 30×35	4.26 4.20	25×50 30×40 35×30	4.60 4.57 4.46	30×50 35×40	5.16 5.10						
47000	25×50 30×40 35×30	4.63 4.60 4.50	30×45 35×35	4.95 4.87	35×45 40×40	5.50 5.60						
56000	30×50 35×40	5.17 5.12	35×45 40×40	5.49 5.59	40×50	6.22						
68000	35×45 40×40	5.52 5.62	40×50	6.22	40×60	6.83						

LM Series

● DIMENSIONS & MAXIMUM PERMISSIBLE RIPPLE CURRENT

WV μF	63		80		100		160		200		250	
	220											22×25
270									22×25	1.05	22×25	1.11
330							22×25	1.01	22×25	1.23	22×30 25×25	1.31 1.36
390							22×25	1.09	22×30 25×25	1.55 1.59	22×35 25×25	1.50 1.55
470							22×25	1.47	22×30 25×25	1.56 1.61	22×40 25×30 30×25	1.65 1.63 1.68
560							22×30 25×25	1.70 1.76	22×35 25×25 30×25	1.79 1.76 1.81	22×45 25×35 30×25	1.80 1.87 1.84
680							22×35 25×25	1.89 1.86	22×40 25×30 30×25	2.07 2.06 2.12	25×40 30×30 35×25	2.05 2.12 2.21
820			22×25	1.37	22×30 25×25	1.46 1.51	22×40 25×30	2.18 2.16	25×35 30×30 35×25	2.20 2.22 2.27	30×35 35×30	2.34 2.44
1000			22×30 25×25	1.62 1.67	22×35 25×30	1.71 1.77	22×45 25×35 30×25	2.51 2.51 2.45	25×40 30×30 35×25	2.55 2.60 2.67	30×40 35×30	2.68 2.70
1200	22×25	1.37	22×30 25×25	1.67 1.72	22×40 25×35 30×25	1.86 1.94 1.88	25×40 30×30 35×25	2.72 2.69 2.76	30×35 35×30	2.88 2.96	30×45 35×35	3.00 3.00
1500	22×30 25×25	1.50 1.54	22×35 25×30	1.98 2.05	22×45 25×40 30×30	2.18 2.28 2.23	25×45 30×35 35×30	3.18 3.15 3.08	30×40 35×35	3.32 3.41	35×40	3.50
1800	22×30 25×25	1.64 1.69	22×40 25×35 30×25	2.28 2.37 2.30	25×45 30×35	2.61 2.57	30×40 35×30	3.60 3.65	30×50 35×40	3.82 3.92		
2200	22×35 25×30	1.86 1.92	22×45 25×35 30×30	2.51 2.49 2.56	25×50 30×40 35×30	2.85 2.83 2.76	30×45 35×35	4.13 4.10	35×45	4.35		
2700	22×40 25×30 30×25	2.17 2.13 2.18	25×45 30×35	3.03 2.99	30×45 35×35	3.27 3.22	35×40	4.61				
3300	22×50 25×40 30×30	2.53 2.53 2.48	25×50 30×40 35×30	3.33 3.30 3.23	30×50 35×40	3.59 3.55						
3900	25×45 30×35	2.88 2.84	30×45 35×35	3.75 3.69	35×45	4.03						
4700	25×50 30×40 35×30	3.20 3.17 3.10	30×50 35×40	4.10 4.06	35×50 40×40	4.40 4.31						
5600	30×45 35×35	3.51 3.46	35×45	4.44	40×50	4.88						
6800	30×50 35×40	3.92 3.88	35×50 40×40	4.90 4.80	40×50	5.18						
8200	35×45	4.22	40×50	5.32								
10000	35×50 40×40	4.74 4.64										

↑ ↑ Ripple current (A rms) at 105°C, 120Hz
Case size ΦD×L (mm)

LM Series

● DIMENSIONS & MAXIMUM PERMISSIBLE RIPPLE CURRENT

μF \ WV	350		400		450		500	
68					22×20	0.47		
82			22×20	0.62	22×25	0.55	22×35 25×30	0.72 0.75
100	22×25	0.58	22×25	0.74	22×25	0.72	22×40 25×35 30×25	0.83 0.82 0.84
120	22×25	0.68	22×25	0.79	22×30 25×25	0.83 0.82	22×45 25×35 30×30 35×25	0.93 0.93 0.91 0.82
150	22×25 25×25	0.76 0.81	22×30 25×25	0.94 0.91	22×35 25×25	0.92 0.90	25×40 30×35 35×25	1.08 1.04 1.04
180	22×30 25×25	0.78 0.80	22×35 25×25	1.07 1.06	22×40 25×35 30×25	1.12 1.05 1.09	25×45 30×40 35×30	1.20 1.20 1.12
220	22×35 25×30 30×25	0.93 0.95 0.98	22×40 25×30 30×25	1.18 1.18 1.20	25×35 30×30	1.18 1.20	30×45 35×35	1.33 1.26
270	22×40 25×30 30×25	1.06 1.04 1.08	25×35 30×25	1.37 1.35	25×40 30×30 35×25	1.35 1.37 1.40	30×50 35×40	1.50 1.42
330	22×45 25×30 30×30 35×25	1.23 1.23 1.25 1.29	25×40 30×30 35×25	1.51 1.50 1.46	30×35 35×30	1.56 1.54	30×55 35×45	1.59 1.60
390	25×40 30×30 35×25	1.43 1.39 1.43	30×35 35×25	1.63 1.67	30×40 35×30	1.69 1.67	35×50	1.80
470	25×45 30×35 35×30	1.64 1.63 1.66	30×40 35×30	1.85 1.88	35×35	1.90	35×60	2.06
560	30×40 35×35	1.85 1.90	35×35	2.08	35×40	2.06		
680	30×45 35×35	2.11 2.09	35×40	2.38	35×50	2.45		
820	35×40	2.38	35×45	2.65				
1000	35×45	2.71						

↑ Ripple current (A rms) at 105°C , 120Hz
 ↑ Case size ΦD×L (mm)