

LT Wide Temperature Range, Standard Series

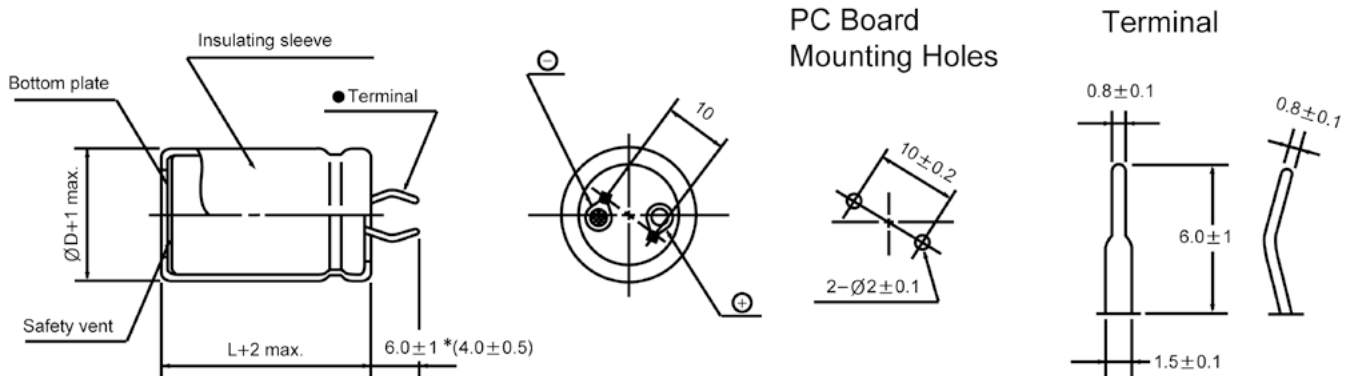
- Wide temperature range of $-40(-25)\sim+105^{\circ}\text{C}$
- Standard snap-in terminal type
- Complied to the RoHS directive

| Items | Performance characteristics | | | | | | | | | | |
|---|---|------------------------------------|------|------|------|------|------|------|--------|---------|---------|
| Operating temperature range | $-40 \sim +105^{\circ}\text{C}$ (6.3V~315V); $-25 \sim +105^{\circ}\text{C}$ (350V~550V) | | | | | | | | | | |
| Leakage current max. | $I=3\sqrt{CV}$ (μA) (after 5 minutes) | | | | | | | | | | |
| Capacitance tolerance | $\pm 20\%$ at 120Hz, 20°C | | | | | | | | | | |
| Dissipation factor max. (at 120Hz, 20°C) | WV | 6.3 | 10 | 16 | 25 | 35 | 50 | 63 | 80,100 | 160~400 | 450~550 |
| | Tan δ | 0.60 | 0.55 | 0.50 | 0.40 | 0.35 | 0.30 | 0.25 | 0.20 | 0.15 | 0.20 |
| Load life (after application of the rated voltage for 2000 hours at 105°C) | Leakage current | Less than specified value | | | | | | | | | |
| | Capacitance change | Within $\pm 20\%$ of initial value | | | | | | | | | |
| | Tan δ | Less than 200% of specified value | | | | | | | | | |
| Shelf life (at 105°C) | After 1000 hours no load test, leakage current, capacitance and tan δ are same as load life value. | | | | | | | | | | |

● DRAWING

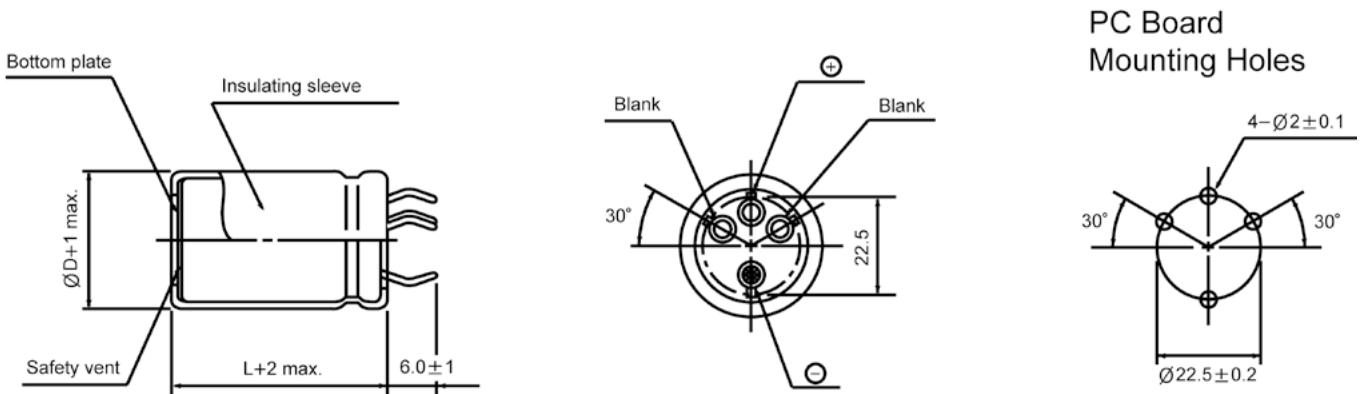
Unit : mm

$\varnothing D \leq 40$



* Shorter terminal (4.0 ± 0.5) is also available upon request.
Terminal length of height 20mm products is applied shorter terminal to standard terminal type.

$\varnothing D = 35, 40$



● FREQUENCY COEFFICIENT OF PERMISSIBLE RIPPLE CURRENT

| Frequency | 50Hz | 120Hz | 300Hz | 1kHz | 10kHz \leq |
|-----------|------|-------|-------|------|--------------|
| WV ~ 100 | 0.85 | 1.00 | 1.06 | 1.15 | 1.20 |
| 160 ~ 250 | 0.85 | 1.00 | 1.20 | 1.25 | 1.45 |
| 315 ~ | 0.85 | 1.00 | 1.15 | 1.20 | 1.40 |

LT Series

● DIMENSIONS & MAXIMUM PERMISSIBLE RIPPLE CURRENT

| WV μF | 6.3 | | 10 | | 16 | | 25 | | 35 | | 50 | |
|----------|---------------|------|---------------|------|---------------|------|---------------|------|---------------|------|---------------|---------------|
| | 3300 | | | | | | | | | | | 22×30 2.23 |
| 4700 | | | | | | | | | 22×30 2.29 | 2.23 | 22×40 2.87 | 2.98 |
| 5600 | | | | | | | 22×25 1.99 | | 22×35 2.46 | 2.54 | 25×35 2.89 | 3.14 |
| 6800 | | | | | | | 22×30 2.29 | | 22×40 2.80 | 2.75 | 30×25 2.89 | 3.14 |
| 8200 | | | | | | | 25×25 2.36 | | 25×30 2.75 | 2.82 | 30×30 3.26 | 3.33 |
| 10000 | | | | | | | 22×35 2.59 | | 22×45 3.10 | 3.07 | 35×25 3.33 | 3.33 |
| 12000 | | | | | | | 25×30 2.68 | | 25×35 3.07 | 3.16 | 25×40 3.57 | 3.78 |
| 15000 | | | | | | | 30×30 2.99 | | 30×35 3.16 | 3.16 | 30×40 4.03 | 4.03 |
| 18000 | | | | | | | 22×40 2.96 | | 22×50 3.51 | 3.51 | 35×30 3.94 | 3.94 |
| 22000 | | | | | | | 25×30 2.92 | | 25×40 3.51 | 3.51 | 30×45 4.55 | 4.55 |
| 27000 | | | | | | | 30×25 2.99 | | 30×30 3.43 | 3.43 | 35×35 4.48 | 4.48 |
| 33000 | | | | | | | 22×45 3.31 | | 25×45 3.88 | 3.88 | 30×50 4.96 | 4.96 |
| 39000 | | | | | | | 25×35 3.28 | | 30×35 3.83 | 3.83 | 35×40 4.91 | 4.91 |
| 47000 | | | | | | | 30×30 3.37 | | 35×30 3.93 | 3.93 | | |
| 56000 | 22×25 2.54 | | 22×30 2.56 | 2.54 | 22×35 3.22 | 3.22 | 25×30 3.34 | 3.34 | 22×50 3.70 | 3.70 | 30×45 5.40 | 5.40 |
| 68000 | 22×30 2.89 | 2.89 | 22×35 3.21 | 3.21 | 25×30 3.72 | 3.72 | 30×25 3.82 | 3.82 | 25×40 4.09 | 4.09 | 35×45 5.80 | 5.80 |
| 100000 | 25×25 2.97 | 2.97 | 25×25 3.13 | 3.13 | 22×40 4.13 | 4.13 | 25×35 3.72 | 3.72 | 25×45 4.03 | 4.03 | 40×40 5.71 | 5.71 |
| | 22×35 3.25 | 3.25 | 22×40 3.59 | 3.59 | 25×40 4.13 | 4.13 | 30×30 4.04 | 4.04 | 30×35 4.13 | 4.13 | 40×50 6.40 | 6.40 |
| | 25×25 3.16 | 3.16 | 25×30 3.53 | 3.53 | 25×40 4.13 | 4.13 | 30×35 4.04 | 4.04 | 35×35 4.59 | 4.59 | 40×60 7.09 | 7.09 |
| | 22×40 3.64 | 3.64 | 22×45 3.97 | 3.97 | 25×45 4.54 | 4.54 | 30×35 4.48 | 4.48 | 30×50 5.11 | 5.11 | | |
| | 25×30 3.58 | 3.58 | 25×35 3.94 | 3.94 | 30×35 4.48 | 4.48 | 35×25 4.35 | 4.35 | 35×40 5.05 | 5.05 | | |
| | 30×25 3.66 | 3.66 | 30×30 4.06 | 4.06 | 35×25 4.35 | 4.35 | | | 40×50 6.10 | 6.10 | | |
| | 22×45 4.02 | 4.02 | 22×50 4.36 | 4.36 | 30×40 4.92 | 4.92 | 35×45 5.51 | 5.51 | 40×50 6.34 | 6.34 | | |
| | 25×35 3.99 | 3.99 | 25×40 4.36 | 4.36 | 35×30 4.81 | 4.81 | 40×40 5.61 | 5.61 | | | | |
| | 30×30 4.10 | 4.10 | 30×30 4.27 | 4.27 | | | | | | | | |
| | 35×25 4.36 | 4.36 | 35×25 4.36 | 4.36 | | | | | | | | |
| | 22×50 4.37 | 4.37 | 25×45 4.73 | 4.73 | 30×45 5.31 | 5.31 | | | | | | |
| | 25×40 4.36 | 4.36 | 30×35 4.66 | 4.66 | 35×35 5.22 | 5.22 | | | | | | |
| | 30×30 4.28 | 4.28 | 35×30 4.78 | 4.78 | | | | | | | | |
| | 35×25 4.36 | 4.36 | | | | | | | | | | |
| | 25×45 4.76 | 4.76 | 25×50 5.12 | 5.12 | 30×50 5.71 | 5.71 | | | | | | |
| | 30×35 4.70 | 4.70 | 30×40 5.08 | 5.08 | 35×40 5.65 | 5.65 | | | | | | |
| | 35×30 4.81 | 4.81 | 35×30 4.96 | 4.96 | | | | | | | | |
| | 25×50 5.14 | 5.14 | 30×45 5.48 | 5.48 | 35×45 6.06 | 6.06 | | | | | | |
| | 30×40 5.10 | 5.10 | 35×35 5.38 | 5.38 | 40×40 6.17 | 6.17 | | | | | | |
| | 35×30 4.98 | 4.98 | | | | | | | | | | |
| | 30×45 5.51 | 5.51 | 35×40 5.82 | 5.82 | 35×50 6.47 | 6.47 | | | | | | |
| | 35×35 5.42 | 5.42 | | | 40×50 6.85 | 6.85 | | | | | | |
| | 35×45 6.25 | 6.25 | 40×50 7.01 | 7.01 | 40×60 7.65 | 7.65 | | | | | | |
| | 40×40 6.37 | 6.37 | | | | | | | | | | |

↑ ↑
Ripple current (A rms) at 105°C , 120Hz
Case size ΦD×L (mm)

LT Series

● DIMENSIONS & MAXIMUM PERMISSIBLE RIPPLE CURRENT

| WV μF | 63 | | 80 | | 100 | | 160 | | 200 | | 250 | |
|----------|----------------------------------|------------------------------|---|----------------------|-------------------------|----------------------|----------------------------------|------------------------------|----------------------------------|------------------------------|----------------------------------|------------------------------|
| | 150 | | | | | | | | | | | 22×25 25×20 |
| 180 | | | | | | | | | 22×20 | 0.68 | 22×25 25×20 | 0.67 0.76 |
| 220 | | | | | | | 22×20 | 0.76 | 22×25 25×20 | 0.82 0.83 | 22×25 25×25 30×20 | 0.82 0.89 0.91 |
| 270 | | | | | | | 22×25 25×20 | 0.90 0.99 | 22×25 25×25 30×20 | 0.90 0.99 1.01 | 22×30 25×25 30×20 | 0.96 0.99 1.01 |
| 330 | | | | | | | 22×25 25×20 | 1.00 1.02 | 22×30 25×25 30×20 | 1.06 1.09 1.12 | 22×30 25×30 30×20 | 1.06 1.17 1.12 |
| 390 | | | | | | | 22×25 25×25 30×20 | 1.09 1.19 1.21 | 22×30 25×25 30×25 | 1.15 1.19 1.30 | 22×35 25×30 30×25 | 1.22 1.27 1.30 |
| 470 | | | | | | | 22×30 25×25 30×20 | 1.27 1.31 1.33 | 22×35 25×30 30×25 | 1.34 1.39 1.42 | 22×40 25×30 30×25 35×25 | 1.42 1.38 1.42 1.54 |
| 560 | | | | | | | 22×35 25×30 30×25 | 1.47 1.52 1.56 | 22×40 25×35 30×25 35×25 | 1.54 1.60 1.56 1.69 | 22×50 25×40 30×30 35×25 | 1.69 1.69 1.65 1.69 |
| 680 | | | | | | | 22×40 25×30 30×25 | 1.70 1.67 1.72 | 22×45 25×40 30×30 35×25 | 1.78 1.86 1.82 1.86 | 25×45 30×35 35×30 | 1.95 1.92 1.96 |
| 820 | | | | | | | 22×45 25×35 30×30 35×25 | 1.96 1.94 2.00 2.05 | 22×50 25×45 30×35 35×30 | 2.05 2.14 2.11 2.16 | 25×45 30×40 35×30 | 2.11 2.21 2.16 |
| 1000 | | | | | | | 22×50 25×40 30×30 35×25 | 2.26 2.26 2.21 2.26 | 30×40 35×30 | 2.44 2.38 | 30×45 35×35 | 2.55 2.51 |
| 1200 | | | 22×25 | 1.68 | 22×30 25×25 | 1.79 1.85 | 25×45 30×35 35×30 | 2.42 2.38 2.44 | 30×45 35×35 | 2.62 2.57 | 35×40 40×40 | 2.69 2.86 |
| 1500 | | | 22×30 | 2.00 | 22×35 25×30 30×25 | 2.12 2.20 2.25 | 30×40 35×35 | 2.80 2.87 | 30×50 35×40 | 3.04 3.01 | 35×50 40×50 | 3.26 3.45 |
| 1800 | 22×25 | 1.65 | 22×30 25×25 | 2.19 2.26 | 22×40 25×35 30×30 | 2.45 2.54 2.62 | 35×40 40×40 | 3.29 3.49 | 35×45 40×40 | 3.43 3.49 | 40×60 | 4.04 |
| 2200 | 22×30 25×25 | 1.88 1.94 | 22×35 25×30 30×25 | 2.44 2.52 2.59 | 22×45 25×40 30×30 | 2.68 2.80 2.74 | | | | | | |
| 2700 | 22×35 25×30 | 2.20 2.28 | 22×40 25×35 30×30 | 2.84 2.95 3.04 | 25×45 30×35 35×30 | 3.25 3.20 3.28 | | | | | | |
| 3300 | 22×35 25×30 30×25 | 2.35 2.44 2.50 | 22×45 25×40 30×30 | 3.13 3.27 3.20 | 25×50 30×40 35×35 | 3.57 3.54 3.64 | | | | | | |
| 3900 | 22×40 25×35 30×30 | 2.70 2.80 2.89 | 22×50 25×45 30×35 | 3.56 3.72 3.67 | 30×45 35×35 | 4.02 3.95 | | | | | | |
| 4700 | 22×50 25×40 30×35 35×30 | 3.14 3.14 3.07 3.14 | 25×50 30×40 35×30 | 4.08 4.04 3.95 | 30×50 35×40 | 4.39 4.35 | | | | | | |
| 5600 | 25×45 30×35 35×30 | 3.49 3.43 3.52 | 30×45 35×35 | 4.43 4.36 | 35×45 40×40 | 4.75 4.84 | | | | | | |
| 6800 | 25×50 30×40 35×30 | 3.90 3.87 3.78 | 35×40 | 4.84 | 40×50 | 5.55 | | | | | | |
| 8200 | 30×45 35×35 | 4.21 4.15 | 35×45 40×40 | 5.18 5.28 | 40×50 | 5.70 | | | | | | |
| 10000 | 30×50 35×40 | 4.74 4.69 | 40×50 | 6.10 | | | | | | | | |
| 12000 | 35×45 40×40 | 5.12 5.21 | ▲ Case size ΦD×L (mm) ← Ripple current (A rms) at 105°C, 120Hz | | | | | | | | | |

LT Series

● DIMENSIONS & MAXIMUM PERMISSIBLE RIPPLE CURRENT

| WV μF | 315 | | 350 | | 400 | | 450 | | 500 | | 550 | |
|----------|----------------------------------|------------------------------|----------------------------------|------------------------------|----------------------------------|------------------------------|----------------------------------|------------------------------|-------------------------|----------------------|----------------------------------|------------------------------|
| 47 | | | | | | | | | | | 22×30 25×25 30×20 | 0.31 0.31 0.32 |
| 56 | | | | | | | 22×20 | 0.38 | | | 22×30 25×30 30×25 | 0.34 0.37 0.37 |
| 68 | | | | | 22×20 25×20 | 0.42 0.46 | 22×25 25×20 | 0.45 0.46 | 22×25 | 0.48 | 22×35 25×30 30×25 | 0.39 0.40 0.41 |
| 82 | | | 22×20 | 0.46 | 22×25 25×20 | 0.49 0.51 | 22×30 25×25 30×20 | 0.53 0.54 0.55 | 22×30 25×25 | 0.57 0.58 | 22×40 25×35 30×30 35×25 | 0.45 0.46 0.48 0.49 |
| 100 | 22×20 | 0.51 | 22×25 25×20 | 0.55 0.56 | 22×25 25×25 30×20 | 0.55 0.61 0.61 | 22×30 25×30 30×25 | 0.58 0.64 0.66 | 22×40 25×30 30×25 | 0.69 0.69 0.70 | 22×45 25×40 30×30 35×25 | 0.52 0.54 0.53 0.55 |
| 120 | 22×25 25×20 | 0.60 0.61 | 22×25 25×25 30×20 | 0.61 0.66 0.67 | 22×30 25×25 30×20 | 0.64 0.66 0.67 | 22×35 25×30 30×25 | 0.68 0.70 0.72 | 25×40 30×30 | 0.82 0.82 | 25×45 30×35 35×30 | 0.62 0.61 0.63 |
| 150 | 22×25 25×25 30×20 | 0.67 0.74 0.76 | 22×30 25×25 30×20 | 0.72 0.73 0.76 | 22×30 25×30 30×25 | 0.72 0.79 0.81 | 22×40 25×35 30×30 35×25 | 0.80 0.82 0.85 0.87 | 30×30 | 0.83 | 25×50 30×40 35×35 | 0.72 0.72 0.74 |
| 180 | 22×30 25×25 30×20 | 0.79 0.80 0.82 | 22×35 25×30 30×25 | 0.84 0.85 0.88 | 22×40 25×35 30×25 35×25 | 0.88 0.91 0.88 0.96 | 25×35 30×30 35×25 | 0.90 0.94 0.96 | 30×35 | 0.94 | 30×45 35×35 | 0.82 0.81 |
| 220 | 22×35 25×30 30×25 | 0.92 0.95 0.97 | 22×40 25×30 30×25 35×25 | 0.97 0.94 0.97 1.06 | 22×45 25×40 30×30 35×25 | 1.01 1.06 1.03 1.06 | 25×40 30×35 35×30 | 1.05 1.09 1.12 | 30×40 35×40 | 1.09 1.31 | 35×45 40×40 | 0.98 1.00 |
| 270 | 22×40 25×30 30×25 35×25 | 1.07 1.05 1.08 1.17 | 25×35 30×30 35×25 | 1.10 1.15 1.24 | 25×40 30×30 35×25 | 1.16 1.16 1.17 | 30×40 35×30 | 1.21 1.24 | 35×35 | 1.37 | 35×50 40×50 | 1.13 1.19 |
| 330 | 22×50 25×35 30×30 35×25 | 1.30 1.22 1.27 1.30 | 25×40 30×35 35×30 | 1.28 1.33 1.37 | 25×45 30×35 35×30 | 1.35 1.33 1.37 | 30×45 35×35 | 1.45 1.45 | 35×40 | 1.45 | 40×50 | 1.32 |
| 390 | 25×40 30×35 35×30 | 1.40 1.45 1.49 | 30×40 35×30 | 1.52 1.48 | 30×40 35×30 | 1.52 1.48 | 30×50 35×35 | 1.66 1.57 | 35×45 | 1.62 | 40×60 | 1.54 |
| 470 | 30×35 35×30 | 1.60 1.63 | 30×40 35×35 | 1.67 1.72 | 30×45 35×35 | 1.72 1.72 | 30×50 35×40 40×40 | 1.81 1.81 1.91 | 35×50 40×50 | 1.67 2.20 | 40×60 | 1.69 |
| 560 | 30×40 35×35 | 1.83 1.87 | 30×45 35×40 | 1.91 1.96 | 35×40 40×40 | 1.96 2.08 | 35×50 40×50 | 2.13 2.25 | 40×60 | 2.57 | | |
| 680 | 30×45 35×40 | 2.10 2.16 | 30×50 35×45 40×40 | 2.19 2.26 2.29 | 35×50 40×50 | 2.35 2.48 | 40×60 | 2.65 | 40×60 | 2.83 | | |
| 820 | 30×50 35×50 40×40 | 2.41 2.58 2.53 | 35×50 40×50 | 2.58 2.72 | 40×60 | 2.92 | | | | | | |

↑ ↑
Ripple current (A rms) at 105°C , 120Hz
Case size ΦD×L (mm)