

LC

Snap-in Terminal Type,  
105°C Permissible Overvoltage

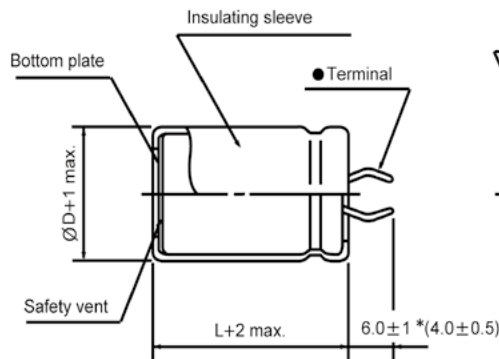
- Withstanding 2000 hours application of rated ripple current at 105°C
- Reduction of short incidence when overvoltage (rated voltage x 1.5) is applied to a capacitor
- Complied to the RoHS directive

Items	Performance characteristics				
Operating temperature range	-40 ~ +105°C (200V,250V), -25 ~ +105°C (400V,450V)				
Leakage current max.	$I=3\sqrt{CV}$ (μA) (after 5 minutes)				
Capacitance tolerance	±20% at 120Hz, 20°C				
Dissipation factor max. (at 120Hz, 20°C)	WV	200	250	400	450
	Tanδ	0.15	0.15	0.15	0.20
Load life (after application of the rated voltage for 2000 hours at 105°C)	Leakage current	Less than specified value			
	Capacitance change	Within ±20% of initial value			
	Tanδ	Less than 200% of specified value			
Shelf life (after leaving capacitors under no load at 105°C for 1000 hours)	Leakage current	Less than specified value			
	Capacitance change	Within ±15% of initial value			
	Tanδ	Less than 150% of specified value			

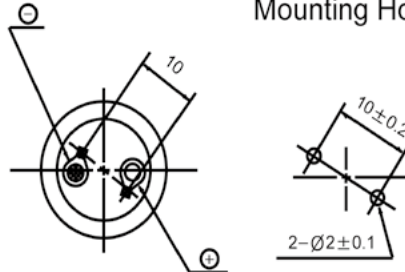
● DRAWING

Unit : mm

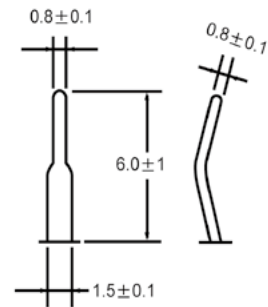
∅D≤40



PC Board Mounting Holes

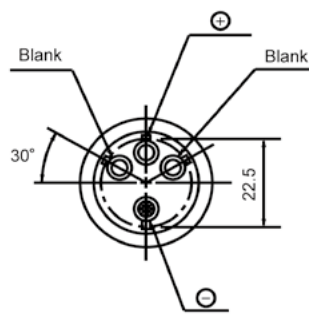
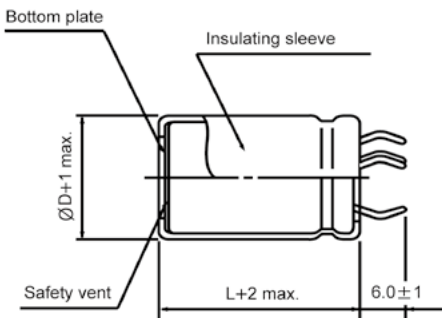


Terminal

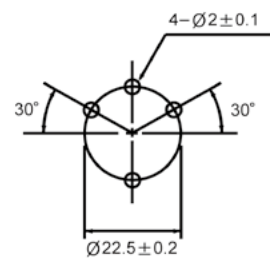


\* Shorter terminal(4.0±0.5) is also available upon request.  
Terminal length of height 20mm products is applied shorter terminal to standard terminal type.

∅D=35, 40



PC Board Mounting Holes



● FREQUENCY COEFFICIENT OF PERMISSIBLE RIPPLE CURRENT

WV \ Frequency	50Hz	60Hz	120Hz	300Hz	1kHz	10KHZ	50kHz≤
200,250	0.81	0.85	1.00	1.17	1.32	1.45	1.50
400,450	0.77	0.82	1.00	1.16	1.30	1.41	1.43

# LC Series

● DIMENSIONS & MAXIMUM PERMISSIBLE RIPPLE CURRENT

μF \ WV	200		250	
	Case size ΦD×L (mm)	Ripple current (A rms) at 105°C, 120Hz	Case size ΦD×L (mm)	Ripple current (A rms) at 105°C, 120Hz
270			22×25	1.10
330			22×30 25×25	1.20 1.20
390	22×25	1.31	22×35 25×30	1.30 1.30
470	22×30 25×25	1.48 1.48	22×40 25×35 30×25	1.40 1.40 1.40
560	22×35	1.60	22×45 25×35 30×30	1.50 1.50 1.50
680	22×40 25×30 30×25	1.75 1.75 1.75	22×50 25×40 30×30 35×25	1.70 1.70 1.70 1.70
820	22×45 25×35	2.04 2.04	25×45 30×35 35×30	2.00 2.00 2.00
1000	22×50 25×45 30×30 35×25	2.30 2.30 2.30 2.30	30×40 35×35	2.20 2.20
1200	25×50 30×35 35×30	2.65 2.65 2.65	30×45 35×40	2.30 2.30
1500	30×40 35×35	2.80 2.80	35×45	2.50
1800	30×50 35×40	3.08 3.08	35×50	2.70
2200	35×45	3.48		

μF \ WV	400		450	
	Case size ΦD×L (mm)	Ripple current (A rms) at 105°C, 120Hz	Case size ΦD×L (mm)	Ripple current (A rms) at 105°C, 120Hz
82			22×25	0.34
100	22×25	0.68	22×30 25×25	0.69 0.69
120	22×30	0.73	22×35 25×30	0.72 0.72
150			22×40 25×30 30×25	0.79 0.79 0.79
180	22×35 25×30 30×25	0.95 0.95 0.95	22×45 25×35 30×30	0.87 0.87 0.87
220	22×45 25×35 30×25	1.10 1.10 1.10	25×40 30×30 35×25	1.05 1.05 1.05
270	22×50 25×40 30×30 35×25	1.22 1.22 1.22 1.22	25×50 30×35 35×30	1.23 1.23 1.23
330	25×45 30×35	1.44 1.44	30×40 35×35	1.38 1.38
390	25×50 30×40 35×30	1.55 1.55 1.55	30×50 35×40	1.61 1.61
470	30×45 35×35	1.68 1.68	35×45	1.78
560	30×50 35×40	1.90 1.90	35×50	1.99
680	35×45	2.12		

— Ripple current (A rms) at 105°C, 120Hz  
 — Case size ΦD×L (mm)