

# JA Snap-in Terminal Type, Long life Series

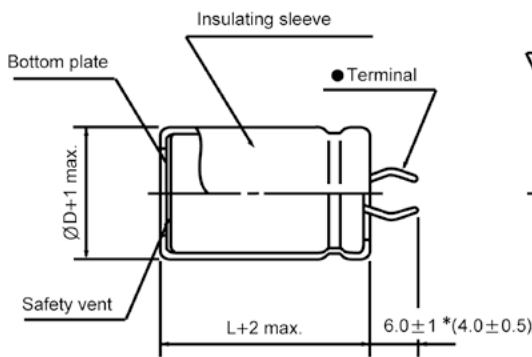
- Load life at 5000 hours at 85°C
- Complied to the RoHS directive

| Items  | Performance characteristics   |      |      |                                   |      |      |      |
|--|---|------|------|-----------------------------------|------|------|------|
| <b>Operating temperature range</b>   | -40 ~ +85°C (160V~250V); -25 ~ +85°C (350V~450V)  |      |      |                                   |      |      |      |
| <b>Leakage current max.</b>  | $I=3\sqrt{CV}$ (μA) (after 5 minutes)   |      |      |                                   |      |      |      |
| <b>Capacitance tolerance</b>   | ±20% at 120Hz, 20°C   |      |      |                                   |      |      |      |
| <b>Dissipation factor max. (at 120Hz, 20°C)</b>                                  | WV  | 160  | 200  | 250                               | 350  | 400  | 450  |
|  | Tanδ  | 0.15 | 0.15 | 0.15                              | 0.15 | 0.15 | 0.20 |
| <b>Load life (after application of the rated voltage for 5000 hours at 85°C)</b> | Leakage current   |      |      | Less than specified value         |      |      |      |
|  | Capacitance change  |      |      | Within ±20% of initial value      |      |      |      |
|  | Tanδ  |      |      | Less than 200% of specified value |      |      |      |
| <b>Shelf life (at 85°C)</b>  | After 1000 hours no load test, leakage current, capacitance and tanδ are same as load life value. |      |      |                                   |      |      |      |

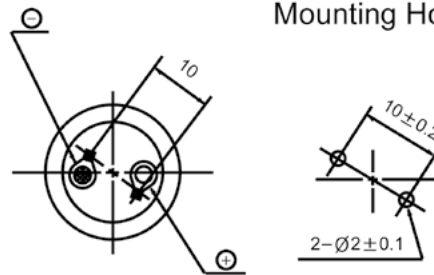
● DRAWING

Unit : mm

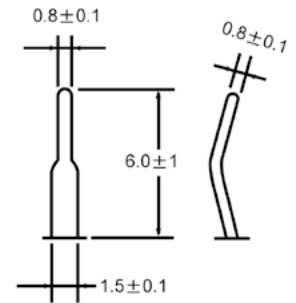
∅D ≤ 40



PC Board Mounting Holes

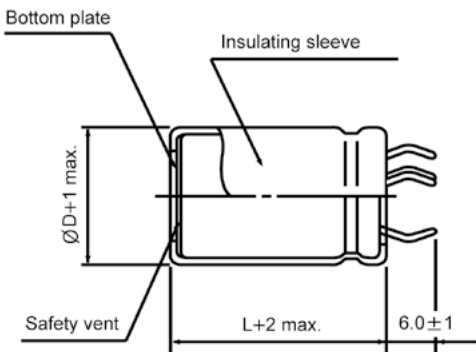


Terminal

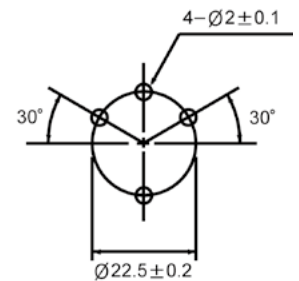
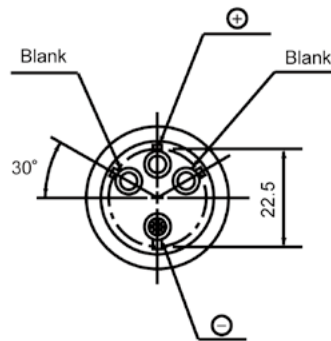


\* Shorter terminal(4.0±0.5) is also available upon request.  
Terminal length of height 20mm products is applied shorter terminal to standard terminal type.

∅D = 35, 40



PC Board Mounting Holes



● FREQUENCY COEFFICIENT OF PERMISSIBLE RIPPLE CURRENT

| WV \ Frequency | 50Hz | 120Hz | 300Hz | 1kHz | 10kHz ≤ |
|----------------|------|-------|-------|------|---------|
| 160 ~ 250      | 0.85 | 1.00  | 1.20  | 1.25 | 1.45    |
| 350 ~          | 0.85 | 1.00  | 1.15  | 1.20 | 1.40    |

**JA Series**

● DIMENSIONS & MAXIMUM PERMISSIBLE RIPPLE CURRENT

| $\mu\text{F}$ \diagdown WV | 160                              |                              | 200                              |                              | 250                              |                              |
|----------------------------|----------------------------------|------------------------------|----------------------------------|------------------------------|----------------------------------|------------------------------|
| 150                        |                                  |                              |                                  |                              | 22×20                            | 0.97                         |
| 180                        |                                  |                              | 22×20                            | 0.91                         | 22×20                            | 1.06                         |
| 220                        |                                  |                              | 22×20                            | 1.18                         | 22×25<br>25×20                   | 1.24<br>1.22                 |
| 270                        | 22×20                            | 1.30                         | 22×25<br>25×20                   | 1.37<br>1.35                 | 22×25<br>25×25                   | 1.50<br>1.32                 |
| 330                        | 22×25                            | 1.50                         | 22×25<br>25×20                   | 1.51<br>1.49                 | 22×30<br>25×25<br>30×20          | 1.66<br>1.61<br>1.58         |
| 390                        | 22×25<br>25×20                   | 1.63<br>1.62                 | 22×25<br>25×25<br>30×20          | 1.73<br>1.71<br>1.71         | 22×35<br>25×30<br>30×25          | 1.88<br>1.88<br>1.86         |
| 470                        | 22×30<br>25×20                   | 1.86<br>1.86                 | 22×30<br>25×25<br>30×20          | 1.97<br>1.95<br>1.88         | 22×35<br>25×35<br>30×25          | 2.15<br>2.15<br>2.04         |
| 560                        | 22×30<br>25×25<br>30×20          | 2.15<br>2.15<br>2.05         | 22×35<br>25×30<br>30×25          | 2.18<br>2.15<br>2.15         | 22×40<br>25×35<br>30×25<br>35×25 | 2.48<br>2.35<br>2.35<br>2.35 |
| 680                        | 22×35<br>25×30<br>30×25          | 2.35<br>2.33<br>2.33         | 22×40<br>25×30<br>30×25<br>35×25 | 2.48<br>2.48<br>2.48<br>2.33 | 22×50<br>25×40<br>30×30<br>35×25 | 2.61<br>2.67<br>2.71<br>2.58 |
| 820                        | 22×40<br>25×30<br>30×25          | 2.68<br>2.65<br>2.64         | 22×45<br>25×35<br>30×30<br>35×25 | 2.81<br>2.79<br>2.80<br>2.83 | 25×45<br>30×35<br>35×30          | 3.01<br>2.98<br>2.96         |
| 1000                       | 22×45<br>25×35<br>30×30<br>35×25 | 3.02<br>3.00<br>2.96<br>3.13 | 22×50<br>25×40<br>30×35<br>35×30 | 3.28<br>3.28<br>3.15<br>3.26 | 30×40<br>35×35                   | 3.56<br>3.48                 |
| 1200                       | 22×50<br>25×40<br>30×30<br>35×25 | 3.47<br>3.43<br>3.41<br>3.40 | 25×45<br>30×35<br>35×30          | 3.61<br>3.61<br>3.57         | 30×45<br>35×35                   | 3.99<br>3.84                 |
| 1500                       | 25×45<br>30×35<br>35×30          | 3.96<br>3.96<br>3.94         | 30×45<br>35×35                   | 4.13<br>4.06                 | 30×50<br>35×40                   | 4.33<br>4.33                 |
| 1800                       | 30×40<br>35×35                   | 4.31<br>4.28                 | 30×50<br>35×40                   | 4.60<br>4.59                 | 35×50                            | 4.76                         |
| 2200                       | 30×50<br>35×40                   | 4.96<br>4.96                 | 35×45                            | 5.25                         |                                  |                              |
| 2700                       | 35×45                            | 5.57                         |                                  |                              |                                  |                              |
| 3300                       | 35×50                            | 6.21                         |                                  |                              |                                  |                              |

↑ Ripple current (A rms) at 85°C , 120Hz  
 ↑ Case size  $\Phi\text{D}\times\text{L}$  (mm)

# JA Series

● DIMENSIONS & MAXIMUM PERMISSIBLE RIPPLE CURRENT

| μF   | VV                               | 350                          |                                  | 400                          |                                  | 450                          |              |
|------|----------------------------------|------------------------------|----------------------------------|------------------------------|----------------------------------|------------------------------|--------------|
|      |                                  |                              |                                  |                              |                                  |                              |              |
| 56   |                                  |                              |                                  |                              |                                  | 22×20                        | 0.61         |
| 68   |                                  |                              |                                  | 22×20                        | 0.65                             | 22×20                        | 0.71         |
| 82   |                                  |                              |                                  | 22×20                        | 0.85                             | 22×25<br>25×20               | 0.86<br>0.84 |
| 100  | 22×20                            | 0.80                         | 22×25<br>25×20                   | 0.99<br>0.82                 | 22×25<br>25×20                   | 0.95<br>0.97                 |              |
| 120  | 22×25<br>25×20                   | 1.04<br>0.90                 | 22×25<br>25×20                   | 1.09<br>1.13                 | 22×30<br>25×25<br>30×20          | 1.07<br>1.09<br>1.12         |              |
| 150  | 22×25<br>25×25                   | 1.20<br>1.22                 | 22×30<br>25×25<br>30×20          | 1.24<br>1.27<br>1.20         | 22×35<br>25×30<br>30×25          | 1.18<br>1.25<br>1.29         |              |
| 180  | 22×30<br>25×25                   | 1.34<br>1.37                 | 22×30<br>25×25<br>30×25          | 1.41<br>1.44<br>1.52         | 22×35<br>25×35<br>30×25          | 1.32<br>1.40<br>1.45         |              |
| 220  | 22×30<br>25×30<br>30×25          | 1.47<br>1.53<br>1.54         | 22×35<br>25×30<br>30×25          | 1.58<br>1.64<br>1.66         | 22×40<br>25×35<br>30×25<br>35×25 | 1.48<br>1.59<br>1.64<br>1.59 |              |
| 270  | 22×35<br>25×30<br>30×25          | 1.70<br>1.73<br>1.80         | 22×40<br>25×35<br>30×30<br>35×25 | 1.65<br>1.79<br>1.82<br>1.63 | 22×50<br>25×40<br>30×30<br>35×25 | 1.88<br>1.87<br>1.89<br>1.90 |              |
| 330  | 22×45<br>25×35<br>30×30<br>35×25 | 1.87<br>1.97<br>2.03<br>1.80 | 22×50<br>25×40<br>30×30<br>35×25 | 1.95<br>2.00<br>2.05<br>2.05 | 25×45<br>30×35<br>35×30          | 2.12<br>2.12<br>2.15         |              |
| 390  | 22×50<br>25×40<br>30×30<br>35×25 | 2.08<br>2.14<br>2.23<br>2.30 | 25×45<br>30×35<br>35×30          | 2.12<br>2.26<br>2.28         | 30×40<br>35×35                   | 2.23<br>2.29                 |              |
| 470  | 25×45<br>30×35<br>35×30          | 2.55<br>2.53<br>2.55         | 25×50<br>30×40<br>35×30          | 2.46<br>2.51<br>2.51         | 30×45<br>35×35                   | 2.68<br>2.68                 |              |
| 560  | 25×50<br>30×40<br>35×35          | 2.64<br>2.73<br>2.75         | 30×45<br>35×35                   | 2.85<br>2.85                 | 35×40                            | 2.88                         |              |
| 680  | 30×45<br>35×35                   | 3.15<br>3.15                 | 30×50<br>35×40                   | 3.01<br>3.01                 | 35×50                            | 3.44                         |              |
| 820  | 35×40                            | 3.47                         | 35×50                            | 3.31                         |                                  |                              |              |
| 1000 | 35×45                            | 3.65                         |                                  |                              |                                  |                              |              |

↑ Ripple current (A rms) at 85°C , 120Hz  
 — Case size ΦD×L (mm)